

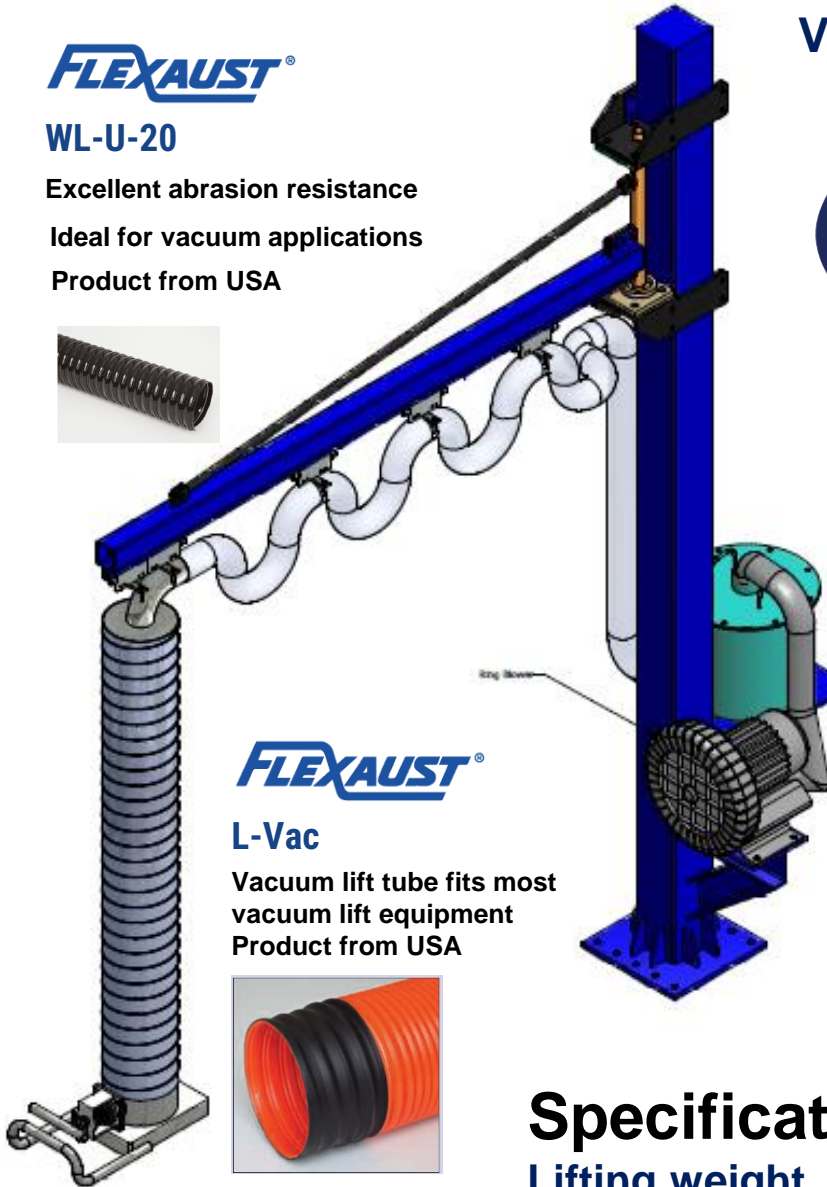
THEREC CORPORATION LTD.

Bulk Material Bag / Vacuum Lifting Machine / Air Lifter

FLEXAUST

WL-U-20

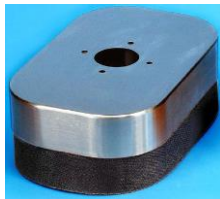
Excellent abrasion resistance
Ideal for vacuum applications
Product from USA



FLEXAUST

L-Vac

Vacuum lift tube fits most
vacuum lift equipment
Product from USA



BH40-SSP-G3G6 Bag Head,
7.25" x 11" Steel Body/Plastic
Screen (Black Foam)

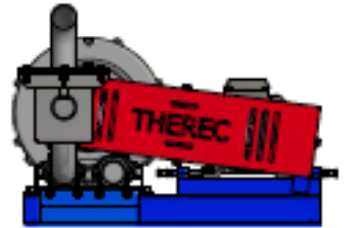


Product from Thailand

Vacuum Tube Lifter



FPZ
BLOWER TECHNOLOGY



Very high performance
Vacuum Blower
Product from Italy
Package by THEREC

Specification

Lifting weight	up to 50 kg
Lifting height	up to 1.6 meter
Cantilever length	up to 3.0 meter
Swing arm angle	up to 90 degree
Structure Material	carbon steel with epoxy paint
Suction Cup	carbon steel with plastic screen and black foam
Lifting Hose	7.87 inches, 10 ft. elastomeric PP w. reinforce spring

www.thereccorp.com

Next Generation Tube Outperforms Neoprene Tubes



L-Vac

Medium weight orange polypropylene elastomer hose reinforced with both a plastic and a spring steel helix.

Features

- Vacuum lift tube fits most vacuum lift equipment
- Encapsulated high tensile steel wire provides longer life than traditional neoprene PVC wrapped constructions
- Ideally suited for use in environments requiring frequent wash downs
- Available with factory-installed heat welded cuffs for easy clamping and an air tight seal
- Also available in yellow and 8'3" lengths, consult sales team for pricing and minimums
- Chemical resistant to splash downs
- Tested to over one million cycles

Inside Diameter	Min: 4.72" Max: 7.87"
Temperature (F)	Low: -20° High: 185°
Length	10'

WL-U-20

Black polyether polyurethane hose reinforced with a coated spring steel wire helix.

FEATURES

- Superior flex life
- Excellent abrasion resistance
- Low temperature flexibility
- Excellent chemical, oil mist and fungus resistance
- Ideal for vacuum applications
- Available in lighter wall thicknesses
- Available with screw-on cuffs or molded cuffs
- Custom-made hose, consult sales team for prices and minimums



ENGINEERING & TECHNICAL DATA — Dayflex® WL-U-20

INSIDE DIAMETER (IN)	APPROX. WEIGHT (LBS/FT)	WALL THICKNESS (IN)	CL BEND RADIUS (IN)	COMPRESSION RATIO	NEGATIVE PRESSURE (IN/HG)	WORKING PRESSURE (PSI)
1.25	.15	.020	1.25	2:1	29	30
1.5	.17	.020	1.5	2:1	29	30
2	.22	.020	2	2:1	29	30
2.5	.28	.020	2.8	2:1	25	30
3	.32	.020	3	2:1	25	25

Technical data based on 2 ft. straight lengths of hose @ 72°

Construction: Polyether polyurethane hose reinforced with a coated spring steel wire helix
Temperature Range: -40°F to 200°F
Standard Color: Black
Standard Lengths: 25 Feet

ENGINEERING & TECHNICAL DATA — Flexadux® TR L-Vac

INSIDE DIAMETER (IN)	APPROX. WEIGHT (LBS/FT)	WALL THICKNESS (IN)	CL BEND RADIUS (IN)	COMPRESSION RATIO	NEGATIVE PRESSURE (IN/HG)	WORKING PRESSURE (PSI)
4.72	.9	.024	N/A	3:1	13	N/A
5	.9	.030	N/A	3:1	18.5	N/A
5.51	1.1	.030	N/A	3:1	18	N/A
6.3	1.3	.030	N/A	3:1	16.3	N/A
7.09	1.7	.030	N/A	3:1	14	N/A
7.87	2	.030	N/A	3:1	13	N/A

Technical data based on 2 ft. straight lengths of hose @ 72°

Construction: Medium weight polypropylene elastomer hose reinforced with both a plastic and a spring steel wire helix

Temperature Range: -20°F to 185°F

Standard Color: Orange

Standard Lengths: 10 Feet

- Lift Capacity: Single Tube – up to 300 lbs.
Dual Tubes – up to 650 lbs.
Triple Tubes – up to 1000 lbs.



Designed and engineered from high-grade stainless steel, ANVER offers bag/sack heads with a wide variety of foam sealing rings. The all stainless construction is ideal for wash-down use in the pharmaceutical and food processing industries.

In addition, ANVER offers the BH90 Series, which comes in strong ABS plastic that is lightweight and increases lift capacity.

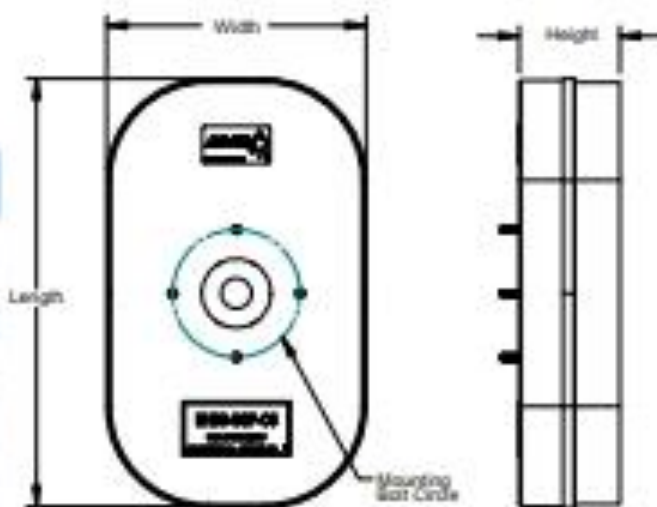
For safe load handling, the surface area of the vacuum attachment should be at least twice the cross sectional area of the vacuum lifting tube (2:1 safety ratio).

There are many seal types for a variety of applications, as described in the table below. ANVER frequently updates the style of its seals in order to stay current with industry standards and available material. Please check with ANVER if you have any questions.

Note: Bags/sacks constructed of porous material, such as burlap, are not suitable for vacuum handling.

Shown with Cush Release Mounting

Foam Style	BH40	BH60	BH73	BH90	Applications
C5	●			●	Loosely packed paper Plastic bags
C8		●	●		Pails with filler cap, textured surface Loosely packed paper Plastic bags
G3G6	●			●	Bag-specific applications
G5C3		●			Pails
D2B4			●		Firmly Packed Bags & Masonry Surfaces
D2K4			●		Rigid, Textured or Rough Surfaces
E4	●				Firmly Packed Bags



Model No.	Dimensions W x L [in (cm)]	Height [in (mm)]	Mounting Bar Circle [in (mm)]	Seal Material No.	Seal Area [Sq. in. (Sq. cm)]	Minimum Number of Pads Required					
						Mini		Standard			
						VT128	VT148	VT160	VT180	VT200	VT250
BH40-SSP-G3G6	7.3 x 11.1 (18.6 x 28.2)	3.0 (76)	3.12 (80)	BH40-SK	52.5 (339)	1	1	2	2	2	N/A
BH40-SSP-C5	7.1 x 11.1 (18.0 x 28.2)	4.1 (104)	3.12 (80)	BH40-SK	42.6 (275)	1	2	2	2	N/A	N/A
BH40-SSP-E4	7.1 x 11.1 (18.0 x 28.2)	3.8 (96)	3.12 (80)	BH40-SK	42.6 (275)	1	2	2	2	N/A	N/A
BH60R-SS-C8	10.0 Dia. (25.4)	3.0 (76)	4.72 (120)	BH60-SK	58.0 (361)	1	1	1	2	2	N/A
BH60R-SS-G5C3	10.0 Dia. (25.4)	3.0 (76)	4.72 (120)	BH60-SK	58.0 (374)	1	1	1	2	2	2
BH73-SS-C8	7.4 x 15.4 (18.8 x 39.1)	3.0 (76)	4.72 (120)	BH73-SK	75.2 (492)	1	1	1	2	2	2
BH73-SS-D2B4	7.4 x 15.4 (18.8 x 39.1)	3.0 (76)	4.72 (120)	BH73-SK	75.2 (492)	1	1	1	2	2	2
BH73-SS-D2K4	7.4 x 15.4 (18.8 x 39.1)	3.0 (76)	4.72 (120)	BH73-SK	75.2 (492)	1	1	1	1	2	2
BH90-P-G3G6*	9.5 x 15.8 (24.1 x 40.1)	3.0 (76)	4.72 (120)	BH90-SK	108.0 (697)	1	1	1	1	1	2
BH90-P-C5*	9.5 x 15.8 (24.1 x 40.1)	4.1 (104)	4.72 (120)	BH90-SK	98.0 (619)	1	1	1	1	2	2
BH90-SSP-C5	9.5 x 15.8 (24.1 x 40.1)	4.0 (102)	4.72 (120)	BH90-SK	98.0 (619)	1	1	1	1	2	2
BH90-SSP-G3G6	9.5 x 15.8 (24.1 x 40.1)	3.0 (76)	4.72 (120)	BH90-SK	108.0 (697)	1	1	1	1	1	2

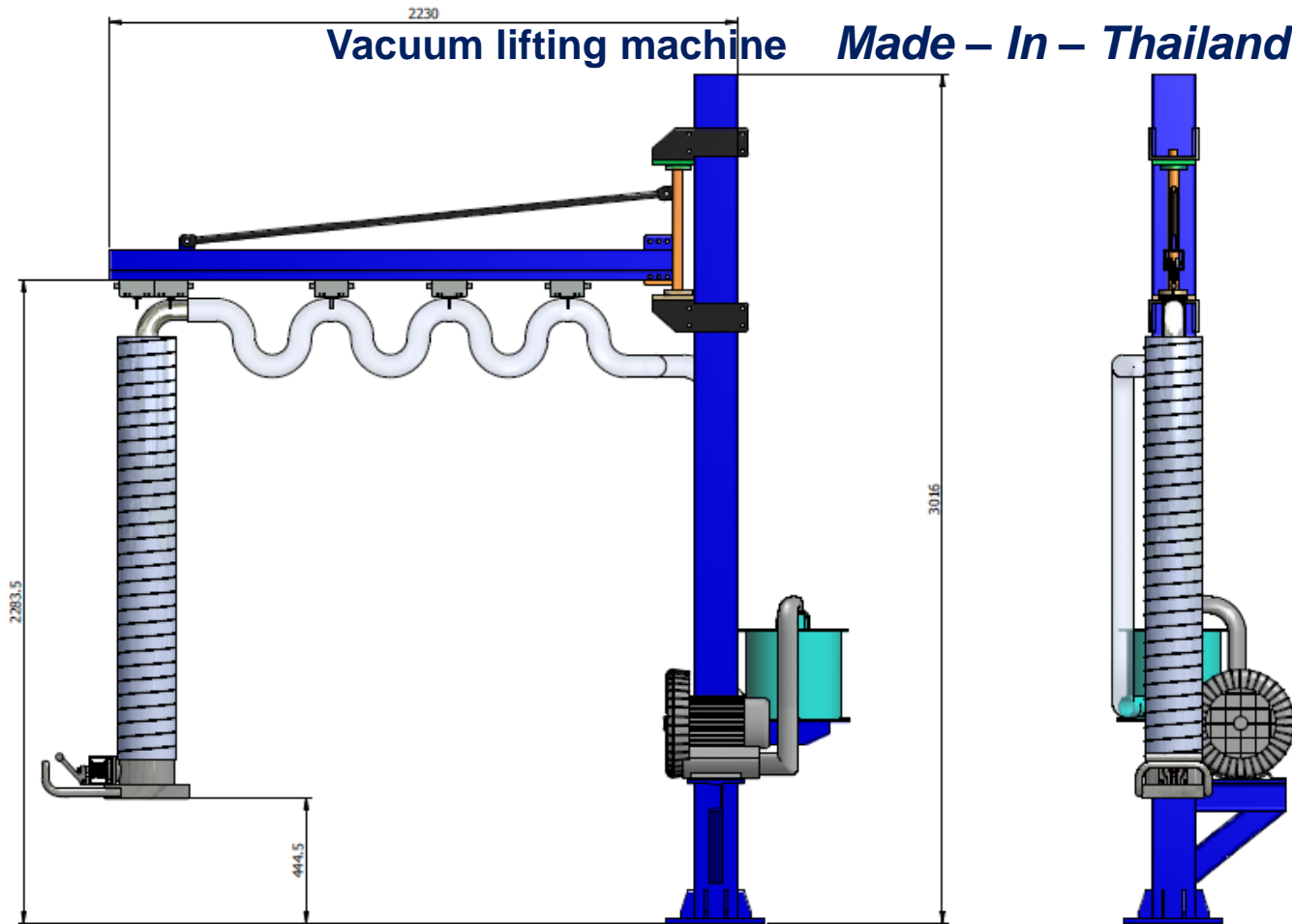
Notes: * "P" designation indicates bag/sack head body is constructed with ABS plastic and has a maximum capacity of 100 lbs.

Anver Corp, 36 Parmenter Rd., Hudson, MA 01749 USA +1-978-568-0221 ANVER.COM

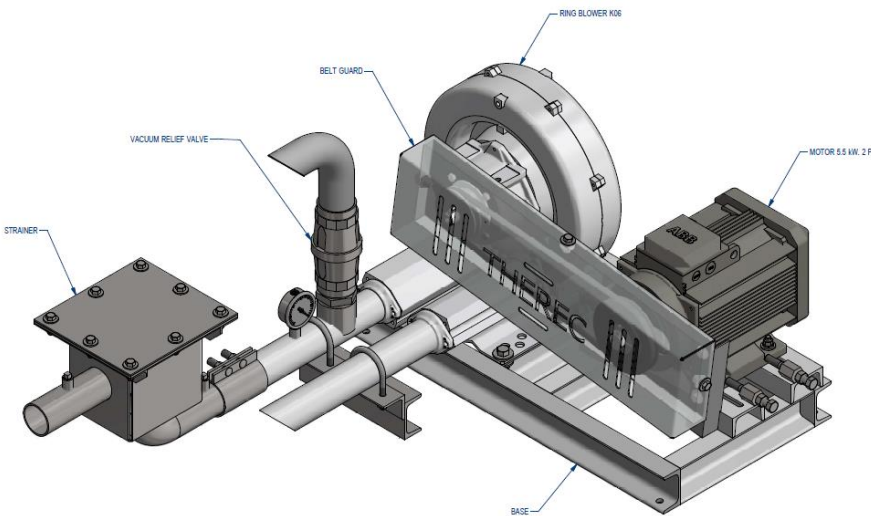
ISO 9001 Certified

Page 1

Vacuum lifting machine *Made – In – Thailand*



20 to 50 Kg Bag Lifting Arrangement for Paper Bag / Plastic Bag & Woven Bag ,w. inner plastic bag



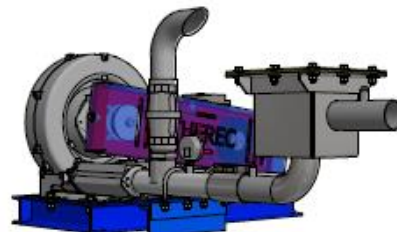
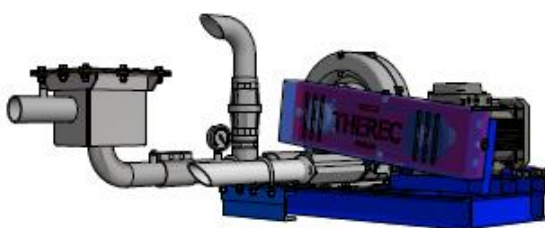
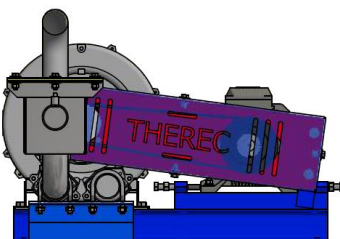
Model K06 MS ST-S - TRC

Very deep vacuum up to
- 2,500 mmAq for maximum weight
lifting

Big motor/ 4.0 kw for long life
operating

Equipped with filter and safety valve
for save running

High Performance Vacuum Ring blower, Full Package set



Vacuum lifting blower *Made – In – Italy*

www.thereccorp.com